

axis

MARINE AUDIO

MECHLESS WEATHERPROOF AM/FM MULTIMEDIA PLAYER with BLUETOOTH

- Mini Chassis • IPX4 Weatherproof Face
 - Front Panel USB/AUX-IN
- For Marine & All-Terrain Vehicle Use



SPECIFICATIONS:

GENERAL:

- Mechless (No CD Deck)
- Fixed Face Panel
- IPX4 Weatherproof Face
- Operating Voltage: 12V (10.8-14V)
- Mounting Depth: 31mm
- Conformal Coating to PCB
- 2 Ch Line Out: Rear (RCA)
- Speaker Impedance: 4-8 Ohms
- Max Power 12W x 4 Ch
- Dimensions - Chassis: 178W x 50H x 31Dmm
- Face Panel: 188W x 57H x 17Dmm

TUNER:

- PLL Synthesized AM/FM Stereo Tuner
- FM 87.5~108 MHz; AM 522~1710 KHz
- Interference Absorption Circuit
- 30 Station Presets - 18FM/12AM Memory
- Automatic or Manual Tuning
- Station Seek / Auto Store
- Local / Distant Control
- Mono / Stereo
- Digital Clock

MULTIMEDIA:

- USB Input: Front Panel
- AUX-IN: Front Panel (3.5mm)
- MP3 / WMA Player
- Repeat Play / Pause
- Track Down / Up Select (MP3/WMA Files)

AUDIO CONTROL:

- Rotary Encoder
- Electronic Volume/Balance/Bass/Treble/Fader/EQ/Loud
- Mute

BLUETOOTH:

- Bluetooth in Phone Mode
- Internal Microphone
- A2DP Audio Streaming

INCLUDED

- Installation Hardware

DESIGNED FOR AUSTRALASIAN CONDITIONS

2YEAR
WARRANTY

INSTALLATION MANUAL MA1500BT

INSTALLATION

PRECAUTIONS

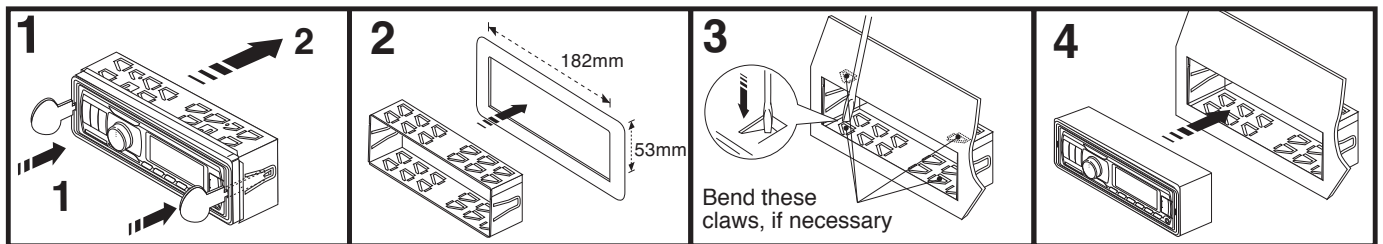
- Choose the mounting location carefully so that the unit will not interfere the normal driving functions.
- Avoid installing the device where it would be subject to high temperatures, from direct sunlight and heat sources where it would be subject to dust, dirt or excessive vibration.
- Use only the supplied mounting hardware for a a safe and secure installation.

Mounting angle adjustment

Adjust the mounting angle to less than 20°.

MOUNTING EXAMPLE

Installation in the dashboard



Note: Insert foam pieces to prevent water ingress from the side of mounting tabs. Keep the release key in a safe place as you may need it in the future to remove the unit.

WIRE CONNECTION

RCA Jack Line Out:

Red (right) White (left)

Note: Red Wire must be connected to the ignition circuit in order to avoid the boat or car battery being drained when not used for a long period.

Maintenance

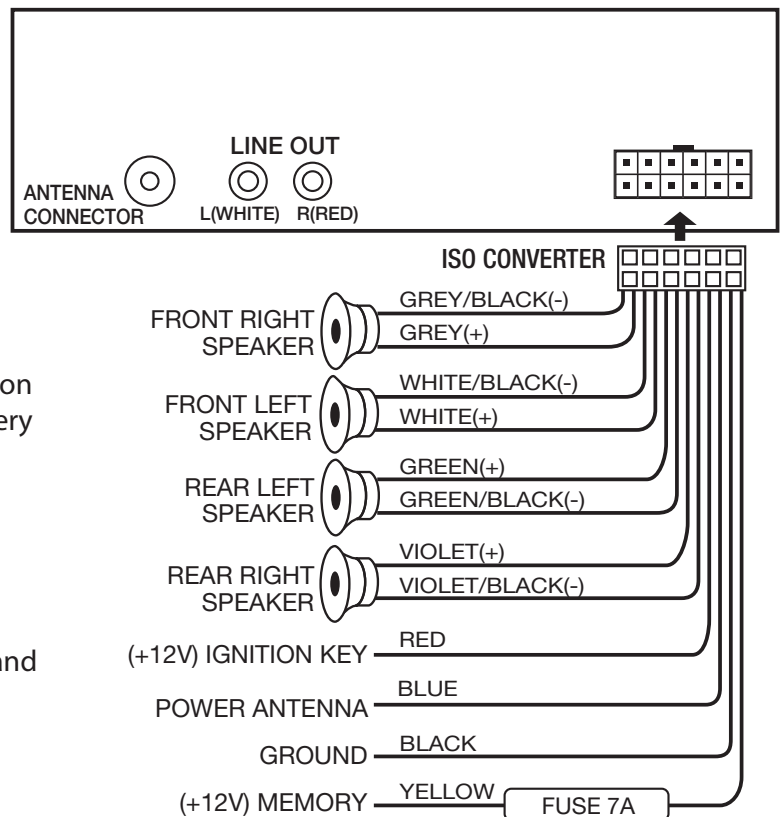
FUSE REPLACEMENT

If the fuse blows, check the power connection and replace the fuse. If the fuse blows again, there may be a short circuit.

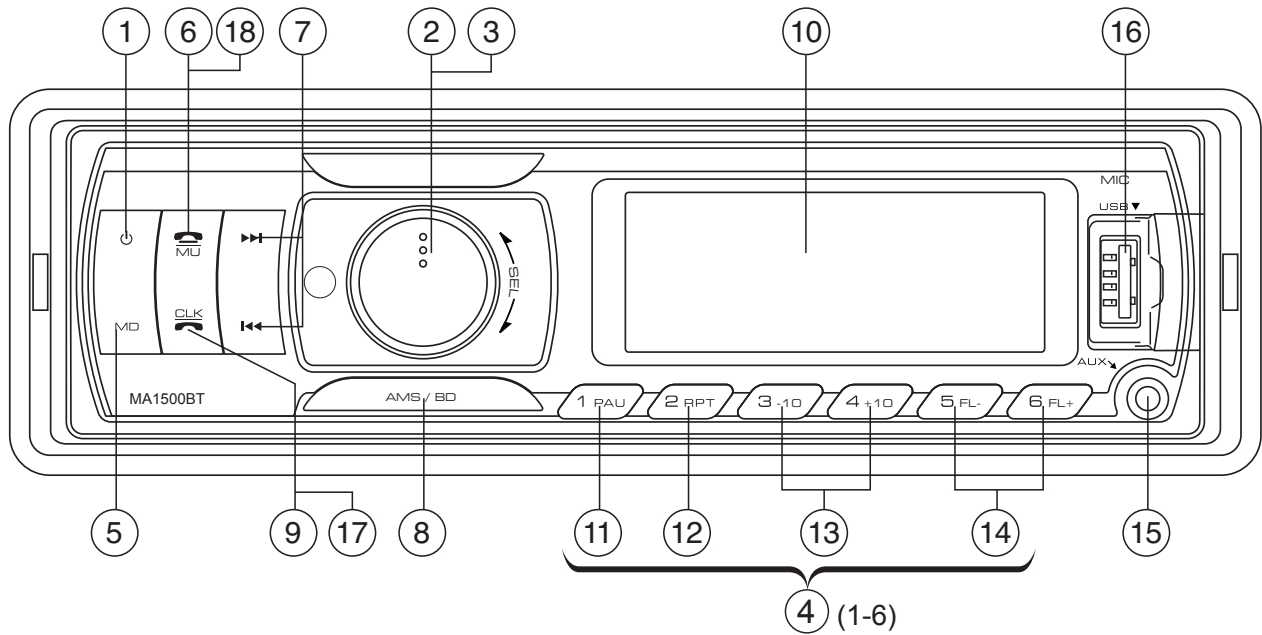
Please consult your nearest repair centre.

Warning






Use the specified fuse amp for each lead. Use of a heavier fuse may cause serious damage.



CONTROL FUNCTIONS



LOCATIONS OF PARTS

1. POWER ON/OFF ()
2. FUNCTION SELECT BUTTON: BASS/TREBLE/BALANCE/FADER/EQ/LOUD /LOC/STEREO (SEL)
3. VOLUME CONTROL FOR BASS/TREBLE/BALANCE/FADER/EQ/LOUD /
4. PRESET STATIONS (1,2,3,4,5,6)
5. MODE BUTTON (MD)
6. MUTE (MU)
7. AUTOMATIC OR MANUAL TUNING
(FREQ UP  OR FREQ DOWN  /TRACK/SEARCH BUTTON)
8. AUTO MEMORY STORE (AMS) / BAND (BD)
9. CLOCK (CLK)
10. LCD DISPLAY
11. PAUSE BUTTON (PAU)
12. REPEAT BUTTON (RPT)
13. SEARCH 10 TRACK PREVIOUS/NEXT (-10 / +10)
14. SEARCH PREVIOUS / NEXT FOLDER (FL- / FL+)
15. AUX IN
16. USB PORT
17. ANSWER A CALL ()
18. END A CALL ()

OPERATING INSTRUCTIONS

1. POWER ON/OFF

Press and hold this key to switch the unit on and off.

2. SELECT

3. VOLUME UP/DOWN

Turn the VOL knob Right or Left (3) to adjust VOL/BASS/TREB/BAL/FAD/EQ/LOUD. To select other functions, continue to press the SEL knob until the desired function is shown on the display. See Figure 1.

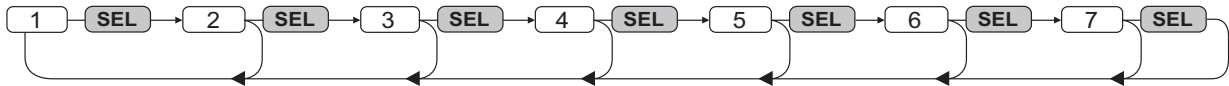


Fig. 1 Selection of sound control functions

1. VOL 2. BAS 3. TRB 4. BAL 5. FAD 6. EQ 7. LOUD

Turn the VOL knob or to increase or decrease the volume levels. These buttons can also be used to adjust the BASS, TREBLE, BALANCE, FADER, EQ (Flat-Pop-Rock-Classical) or LOUDNESS.

Press and hold SEL to adjust below functions:

2 sec.



LOCAL

"Local" position in areas with strong signal will cause radio to stop at only strong stations. During manual tuning LOC appears. Select Distant position in areas with weak signal. Turn the "VOL" knob to set the LOCAL ON/OFF.

STEREO/MONO

When FM signal is weak or distorted, reception may improve by turning VOL knob to select MONO.

4. PRESET STATIONS

Six numbered preset buttons store and recall stations for each band.

Storing a station:

1. Select a band
2. Choose your favorite station
3. Hold a preset button longer than one second. Preset station number appears in the display when station is saved.

Recall a station:

1. Select band
2. Press a preset button for less than one second to select stored station.

5. MODE BUTTON (MD)

By pressing this key, user can select. AUX/RADIO/USB/BT mode.

6. MUTE BUTTON (MU)

Press this key briefly to activate MUTE. To restore sound, press briefly again.

7. AUTOMATIC OR MANUAL TUNING (FREQ UP OR FREQ DOWN

(A) RADIO MODE

When pressed for less than 1 second, these keys operate as MANUAL tuning mode.

When pressed longer than 1 second they will operate as SEEK tuning mode.

(B) MP3 PLAYER MODE

When pressed for less than 1 second, they will operate as TRACK UP or TRACK DOWN mode.

When pressed longer than 1 second they will operate as CUE or REVIEW mode.

8. BAND (BD) / AUTO MEMORY STORE (AMS)

Press this button briefly to select the desired band. FM1---FM2---FM3---AM1---AM2.

AUTO MEMORY STORE:

Select six strong stations and store them in selected band.

1. Select a band
2. Press and hold **AMS** button. The newly tuned station will be stored into the corresponding memory position automatically.

9. CLOCK BUTTON (CLK)

Press **CLK** to show time.

Adjust Clock: Press and hold **CLK**. The hours digit will flash. Turn VOL to adjust hour and press CLK. Then the minutes digit will flash. Turn VOL to adjust minutes and store by pressing CLK again.

10. LCD DISPLAY

The Liquid Crystal Display will show the current state of the unit.

MP3 CONTROL

TRACK/SEARCH BUTTON

FORWARD ►► AND REVERSE ◄◄ TRACK SEARCH

Press and release to advance to next track or to return to the beginning of the current track (track number will be played). Press and hold to fast forward ►► or reverse ◄◄. Play will begin at the point when you release the button.

11. PAUSE BUTTON (1 PAU)

During "PLAY", press (11) 'PAU' button to "PAUSE". Press it again to resume play.

12. REPEAT BUTTON (2 RPT)

Press the RPT button several times to switch between the repeat functions. The following settings are available:

RPT ONE: The current title is repeated.

RPT FOLD: Repeat all folders and tracks.

RPT ALL: All titles on the storage medium are repeated.

RPT OFF: Turn off repeat function.

13. SEARCH 10 TRACK PREVIOUS / NEXT: (In case of MP3 files) (3 -10 / 4 +10)

Briefly press preset button 5 to search previous 10 tracks / Briefly press preset button 6 to search next 10 track.

14. SEARCH PREVIOUS / NEXT FOLDER: (In case of MP3/WMA files) (5 FL- / 6 FL+)

Press Button 5: Previous Folder. Press Button 6: Next Folder

15. FRONT AUX IN

An external audio source (e.g. portable MP3 player) can be connected to the AUX IN socket to be played back through the loudspeakers.

- Connect the AUX IN socket with the audio output of the external device.

Connecting to Portable MP3 Player

16. USB PORT

The device is equipped with a USB interface. MP3 files stored on this media can be played.

1. Plug your USB storage medium into the USB port.
2. The player automatically switches to the input used and starts playback.

Note:

- *Due to the great variety of USB formats, we cannot guarantee that all media will be recognized and that all operational functions will be available with this device. This is due to different manufacturing requirements.*
- *USB hard drives are not compatible.*



BLUETOOTH OPERATION

Connecting the telephone to the device


Activate the Bluetooth function on your mobile phone and conduct a search for Bluetooth devices. After a successful search the entry "AXIS" appears for the device in the display of the mobile phone. Select this entry for the connection and for the subsequent password request enter the password "0000" for the device. You may have to confirm the connection structure a second time.

Call accept/end

With an incoming call you will hear the call signal via the speakers attached to the device and via your mobile telephone. The call number is shown in the device's display.

- Accept an incoming call by pressing the  button.
- End the call by pressing the  button.

Rejecting a call

With an incoming call press the  button to reject that call.

Audio streaming (A2DP)

The device uses the A2DP profile (Advanced Audio Distribution Profile) and therefore can playback your mobile phone's audio data. Select an audio file from your mobile phone and start the playback. The device's display will show BT mode and the audio data will be played back via the speakers connected to the device.

Notice: On the mobile phone it may be necessary to switch playback via the Bluetooth stereo headset. Consult the operating manual of your mobile phone for more information.

CAUTION & MAINTENANCE

This detachable panel AM/FM radio with MP3/WMA player is an example of superior design and craftsmanship. The following suggestions will help you care for the product and experience many years of enjoyment.

1. Do not touch the contacts on the front panel or the unit body.
2. The product can only operate on 12V DC power supply, negative ground.
3. Avoid exposing your product to high temperature and humidity.
4. Handle the product with care. Dropping it can damage circuit boards and cause the product to malfunction.
5. Modifying or tampering with internal components can cause damage and may invalidate the warranty.

TROUBLESHOOTING GUIDE

SYMPTOM	POSSIBLE CAUSE	SOLUTION
No sound or power	Speaker cable disconnected. Bad power connection	Check to see that all the power and speaker leads are securely connected.
	Blown fuse.	Replace fuse with same amperage.
No sound in one channel	Mis-adjusted balance control	Check balance control.
	Damaged speaker wire or speaker	Reverse left and right channel speaker leads If no sound from other side, check or replace speaker wire. If no sound from both sides, replace both speakers.
Poor FM reception	Insensitive or defective antenna.	Replace with a good sensitivity antenna.
	Factory antenna is amplified.	Find antenna power wire in factory harness and connect to accessory power.
Sound distortion & unstable	Speakers have incorrect impedance. Power amplifier overheated.	Recommend use 4 to 8 ohm or equivalent speaker impedance.

TECHNICAL SPECIFICATIONS

MP3/WMA PLAYER SECTION

Signal to Noise Ratio > 60 dB
Channel Separation > 45 dB (1kHz)
Frequency Response 60Hz - 20 kHz

TUNER (FM)

Frequency Range 87.5 - 108 MHz
Sensitivity 2.8 μ V
Stereo Separation 28 dB
Signal to Noise Ratio 50 dB
Channel Step 100 kHz

TUNER (AM)

Frequency Range 522 - 1710 KHz
Usable Sensitivity 32 dB μ V
Channel Step 9 kHz

GENERAL Power

Supply Speaker 12V DC (10.8 - 15.6V allowable)
Impedance Output 4 or 8 Ohm
Power 12W x 4CH

RCA OUT

Impedance Max 10 K
Output 1 Volt (max.)

AUX IN

Frequency Response 60 Hz - 20 KHz
Sensitivity 775 mV
Input Impedance 20 K

USB Operation and Compatibility, USB 1.1, USB 2.0 Full Speed.

BLUETOOTH

DIMENSIONS

Chassis 178(W)x50(H)x31(D) mm
Nose piece 188(W)x57(H)x17(D) mm

Note: This unit has been designed to be compatible with the latest MP3 and USB technology. There is a wide variety of memory cards, USB sticks and software formats available. However not all may be compatible with this product. Specification and design is subject to improvement and modification without notice.

WARRANTY

Congratulations on your purchase of a quality **axis** Mobile Audio System! You're joining thousands of satisfied customers who enjoy & experience the benefits of the products we distribute. In the unlikely event that some technical difficulty arises with your purchase, be assured that we are most anxious to see that the problem is quickly rectified to your satisfaction. Please familiarise yourself with the following simple conditions of our warranty.

This warranty covers faults through component failure or failure of the product to operate in accordance with published specifications. Product failure as a result of unreasonable environmental conditions, accident, misuse, improper installation, unauthorised repair, vehicle electrical or wiring faults or neglect etc, will not be covered by this warranty. Removal and installation costs, if any, would be paid by the owner as well as any freight or postage costs of transporting the product to AudioXtra. AudioXtra shall not be liable or responsible for any loss of use of this product or any form of consequential loss.

CONSUMER WARRANTY

This product is warranted by AudioXtra International Pty Ltd to be free from defects in materials and workmanship under **NORMAL USE** for a period of **TWENTY FOUR MONTHS** from the date of purchase.

WITHIN 30 DAYS OF PURCHASE DATE: Please return the unit for replacement to our National Service Centre or the Retailer from where you made the purchase. All accessories must be included. Proof of purchase date **must** accompany the products.

AFTER 30 DAYS OF PURCHASE DATE: Warranty repair and service is carried out by our National Service Centre. Repair and service will be carried out at no cost to the owner if proof of ownership and the date of purchase can be verified to the satisfaction of the authorised centre concerned with this repair. This proof should take the form of either:

- a) The warranty card accompanying this product, stamped and dated by the dealer.
- b) A Tax Invoice or Receipt showing full details of original vendor, purchaser, model number and serial number.

COMMERCIAL WARRANTY: A product used in or associated with a commercial application will carry a limited **SIX MONTH** warranty. An abnormal commercial application is one where usage, dust, vibration, heat/cold and other environmental conditions exist at an extreme level.

Our goods come with guarantees that cannot be excluded under the Australian Consumer Law. You are entitled to a replacement or refund for a major failure and for compensation for any other reasonably foreseeable loss or damage. You are also entitled to have the goods repaired or replaced if the goods fail to be of acceptable quality and the failure does not amount to a major failure.

Please complete details below in the event of warranty service being required.

Purchaser's Name: _____

Purchaser's Address: _____

Model Number: **MA1500BT** Serial Number: _____

Dealer Name: _____ Date of Purchase: / /

Dealer Address: _____

Invoice/Sales Docket no: _____

General Hints: To expedite service and prompt return of the equipment, please:

- | | |
|--|---|
| a) Clearly describe the fault in detail | c) Include your return address |
| b) Safety and security pack the unit for transport | d) Provide proof of purchase date as outlined above |

audioxtra
PTY

www.audioxtra.com.au

National Service Centre:

10 STODDART ROAD, PROSPECT, SYDNEY NSW 2148 Australia

Telephone: (02) 8841 9000 Fax: (02) 9636 1204 email: services@audioxtra.com.au