

# axis

## MOBILE SAFETY

### DRL9R/10/16/22 DAYTIME RUNNING LIGHTS

- LED Diode Type • 12/24 Volt Input • Waterproof



DRL9R



DRL10



DRL16



DRL22

#### SPECIFICATIONS

- DRL9: 90 x 45mm Circular Design  
18 Piranha LEDs
- DRL10: 100 x 35 x 40.2mm  
18 Piranha LEDs
- DRL16: 160 x 32 x 40mm  
24 Piranha LEDs
- DRL22: 220 x 24 x 35mm  
20 Piranha LEDs
- Current Consumption: @ 12V:0.32A
- Current Consumption: @ 24V:0.15A
- Power: 4W
- Luminous Intensity: 5,000~6,000 MCD

**1 YEAR**  
WARRANTY

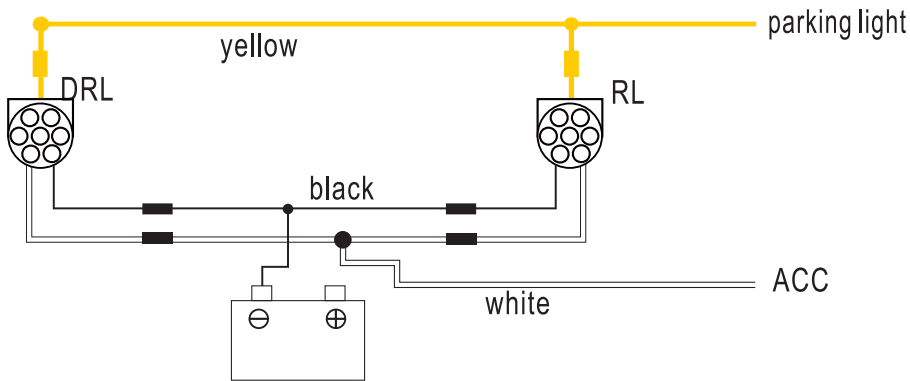
**12/24V** ⚡

# INSTALLATION MANUAL

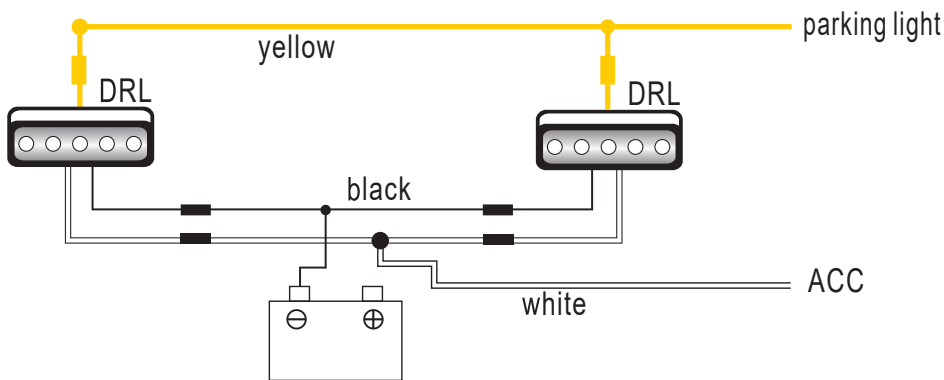
Congratulations on your purchase of **AXIS LED DAYTIME RUNNING LIGHTS** which are designed for motorist and pedestrian safety! Visibility is greatly improved. Optimized high-power energy saving Piranha LED's provide a better solution to be seen in the daytime. Easy to use as they turn on automatically when the engine is started and turn off when the parking lights are turned on.

## WIRING DIAGRAM

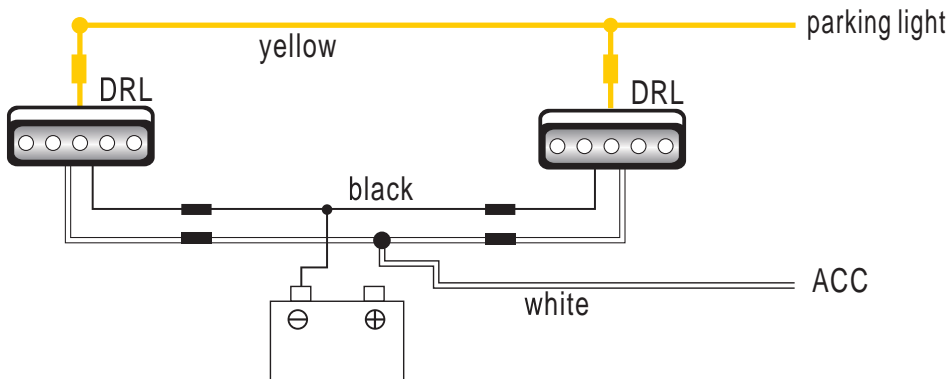
**DRL9R**



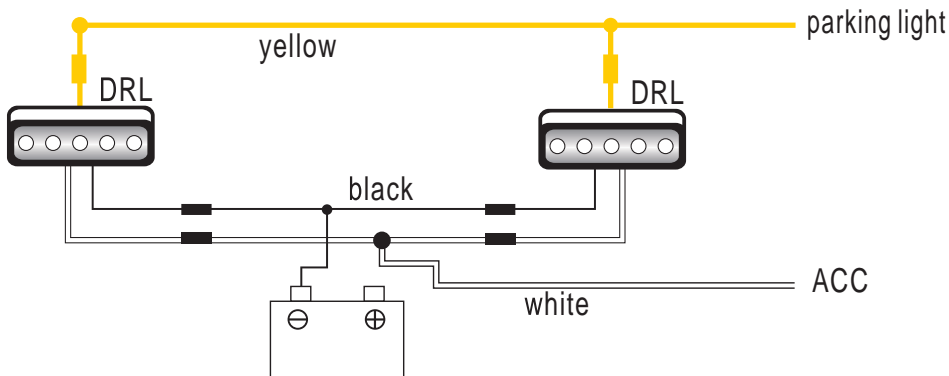
**DRL10**



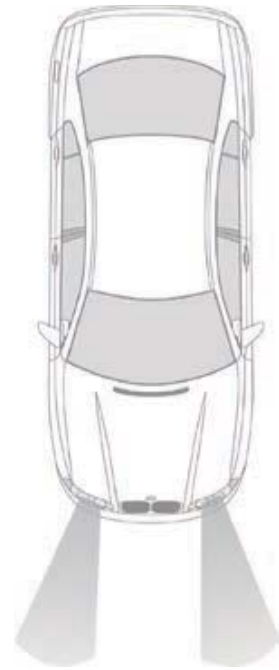
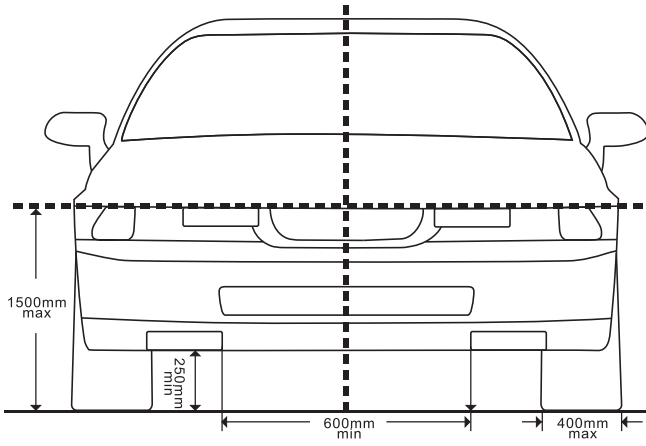
**DRL16**



**DRL22**

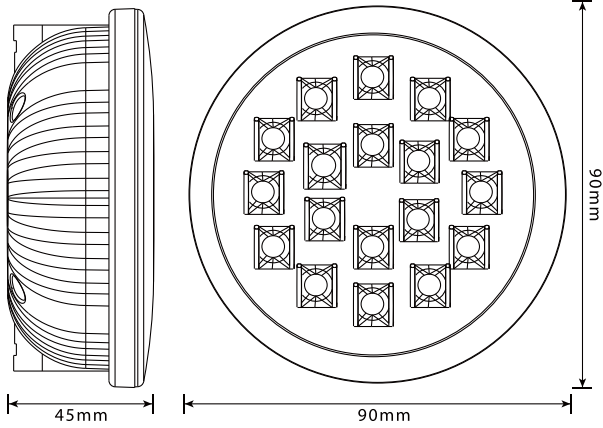


# INSTALLATION LOCATION

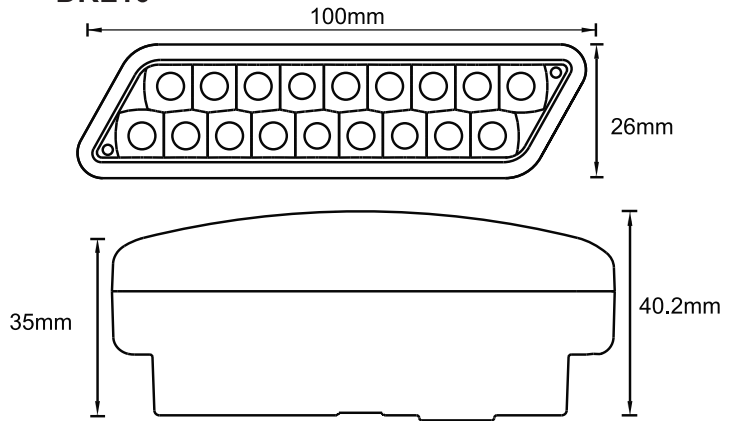


# PRODUCT DIAGRAM

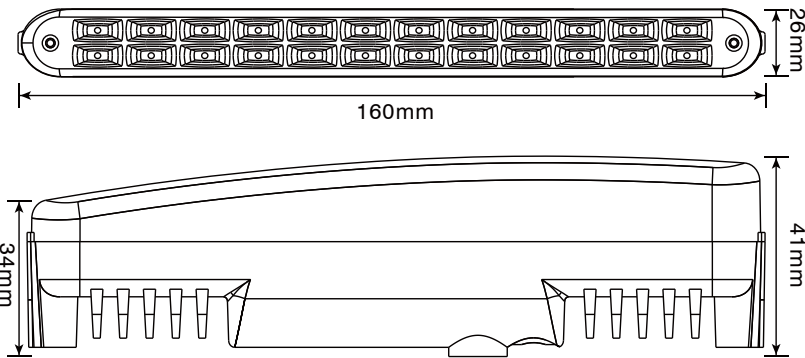
### DRL9R



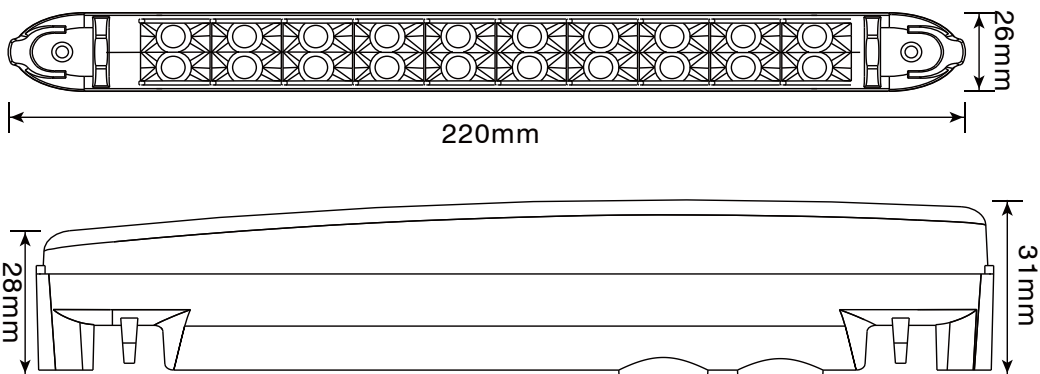
### DRL10



### DRL16



### DRL22



# WARRANTY

Congratulations on your purchase of a quality **axis** Mobile Safety System! You're joining thousands of satisfied customers who enjoy & experience the benefits of the products we distribute. In the unlikely event that some technical difficulty arises with your purchase, be assured that we are most anxious to see that the problem is quickly rectified to your satisfaction. Please familiarise yourself with the following simple conditions of our warranty.

This warranty covers faults through component failure or failure of the product to operate in accordance with published specifications. Product failure as a result of unreasonable environmental conditions, accident, misuse, improper installation, unauthorised repair, vehicle electrical or wiring faults or neglect etc, will not be covered by this warranty. Removal and installation costs, if any, would be paid by the owner as well as any freight or postage costs of transporting the product to AudioXtra. AudioXtra shall not be liable or responsible for any loss of use of this product or any form of consequential loss.

## CONSUMER WARRANTY

This product is warranted by AudioXtra International Pty Ltd to be free from defects in materials and workmanship under **NORMAL USE** for a period of **TWELVE MONTHS** from the date of purchase.

**WITHIN 30 DAYS OF PURCHASE DATE:** Please return the unit for replacement to our National Service Centre or the Retailer from where you made the purchase. All accessories must be included. Proof of purchase date **must** accompany the products.

**AFTER 30 DAYS OF PURCHASE DATE:** Warranty repair and service is carried out by our National Service Centre. Repair and service will be carried out at no cost to the owner if proof of ownership and the date of purchase can be verified to the satisfaction of the authorised centre concerned with this repair. This proof should take the form of either:

- a) The warranty card accompanying this product, stamped and dated by the dealer.
- b) A Tax Invoice or Receipt showing full details of original vendor, purchaser, model number and serial number.

**COMMERCIAL WARRANTY:** A product used in or associated with a commercial application will carry a limited **SIX MONTH** warranty. An abnormal commercial application is one where usage, dust, vibration, heat/cold and other environmental conditions exist at an extreme level.

Our goods come with guarantees that cannot be excluded under the Australian Consumer Law. You are entitled to a replacement or refund for a major failure and for compensation for any other reasonably foreseeable loss or damage. You are also entitled to have the goods repaired or replaced if the goods fail to be of acceptable quality and the failure does not amount to a major failure.

Please complete details below in the event of warranty service being required.

Purchaser's Name: \_\_\_\_\_

Purchaser's Address: \_\_\_\_\_

Model Number: \_\_\_\_\_ Serial Number: \_\_\_\_\_

Dealer Name: \_\_\_\_\_ Date of Purchase:    /    /

Dealer Address: \_\_\_\_\_

Invoice/Sales Docket no: \_\_\_\_\_

General Hints: To expedite service and prompt return of the equipment, please:

- |  |   |
|--|---|
| a) Clearly describe the fault in detail            | c) Include your return address                      |
| b) Safety and security pack the unit for transport | d) Provide proof of purchase date as outlined above |

**audioXtra**  
INTERNATIONAL PTY LTD

www.audioXtra.com.au

**National Service Centre:**

10 STODDART ROAD, PROSPECT, SYDNEY NSW 2148 Australia  
Telephone: (02) 8841 9000 Fax: (02) 9636 1204  
email: services@audioXtra.com.au